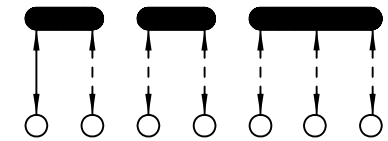
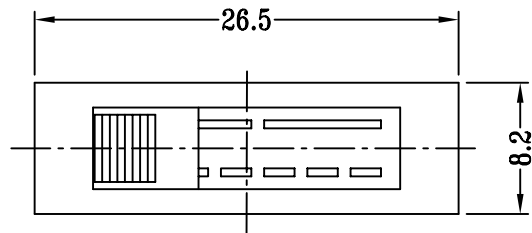
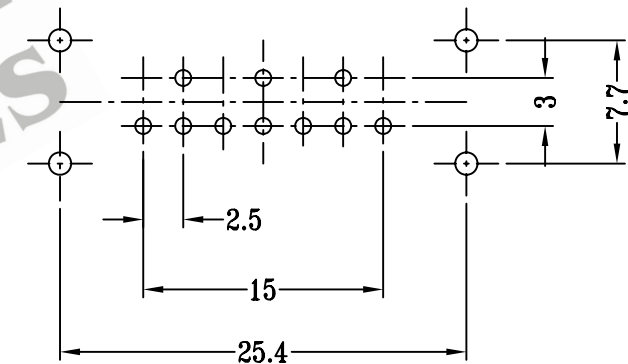
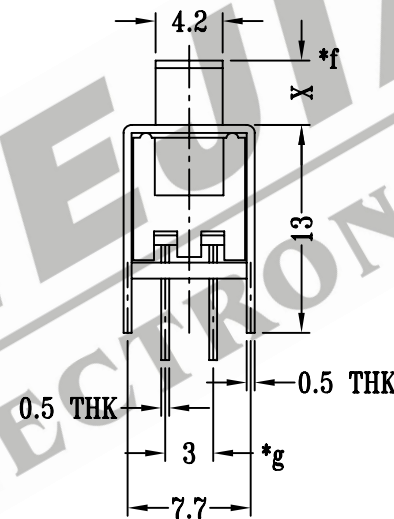
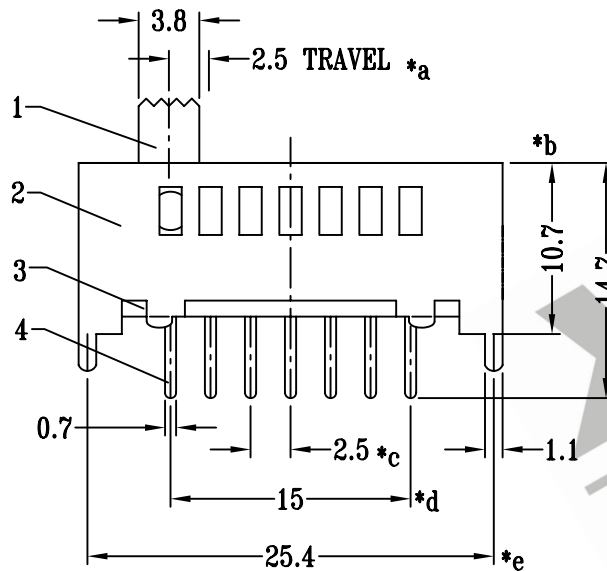


CAD FILE:



SCHEMATIC (SHORTING)



P.C.B LAYOUT

注:带"*"表示关键尺寸(7个)

8					TOLERANCE UNLESS SPECIFIED	SHENZHEN XIEJIA ELECTRONICS CO.,LTD.				
7	CONTACT CLIP	BRASS	1	Ag PLATED						
6	SPRING	STEEL WIRE	2	TEMPER	WITHIN: 1.5±0.1mm	ISSUE	DATE	DESCRIPTIONS		APPD.
5	STEEL BALL	STEEL	2	NATURAL	OVER : 1.5±0.2mm					
4	TERMINAL	BRASS STRIP	10	Ag PLATED OVER Ni PLATED	TITLE : VERTICAL SLIDE SWITCH		UNIT : MM	DRWG NO : XJ-DR-SS17E02-00		
3	TERMINAL BASE	PHENOLIC RESIN	1	NATURAL	MODEL: SS-17E02		SCALE: 2:1	DWN.	ZHOUYU	2002-12-3
2	FRAME	STEEL STRIP	1	Zn PLATED	ALL MATERIALS MUST BE COMPLIANT TO ROHS			CHK'D	FANGYING	2002-12-3
1	KNOB	POM	1	BLACK				APPD.	KANGXINAN	2002-12-3
NO.	PART NAME	MATERIAL	Q'TY	FINISHING						